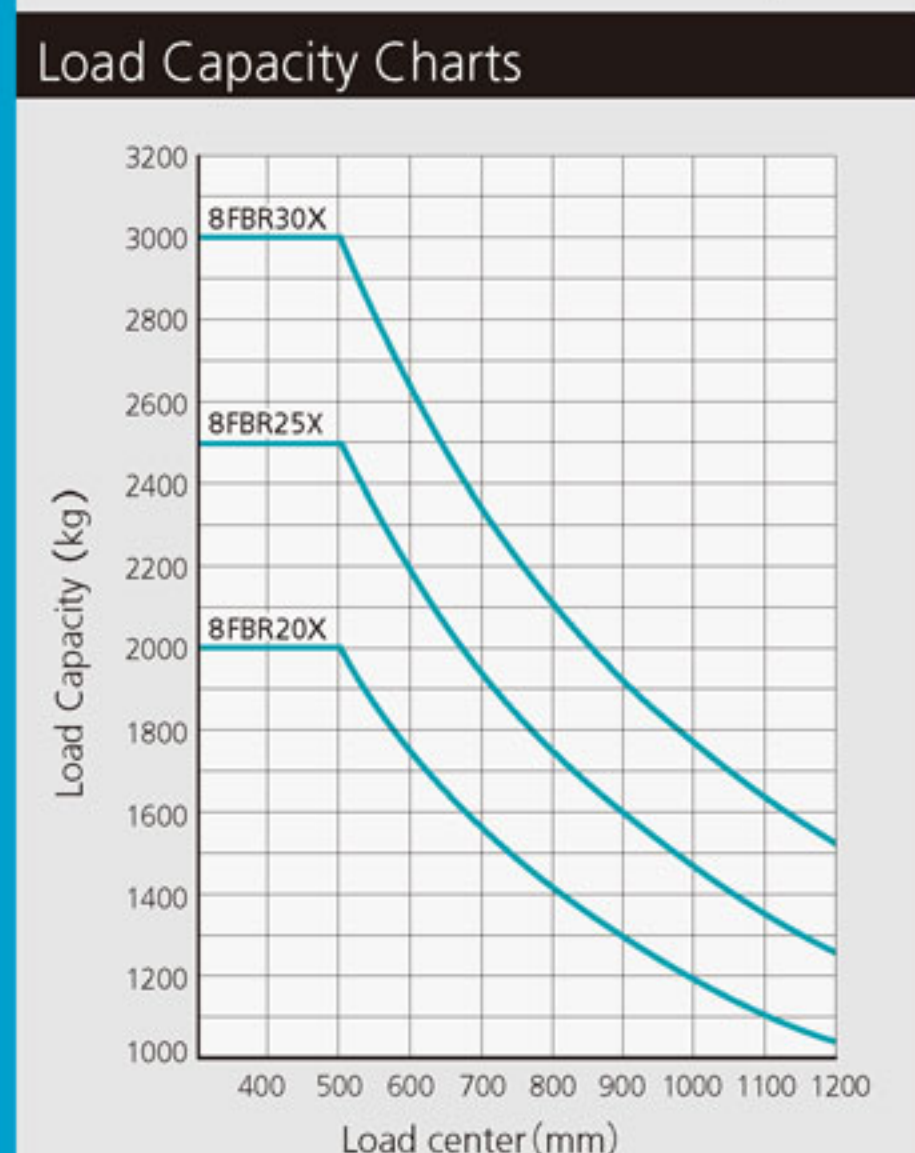
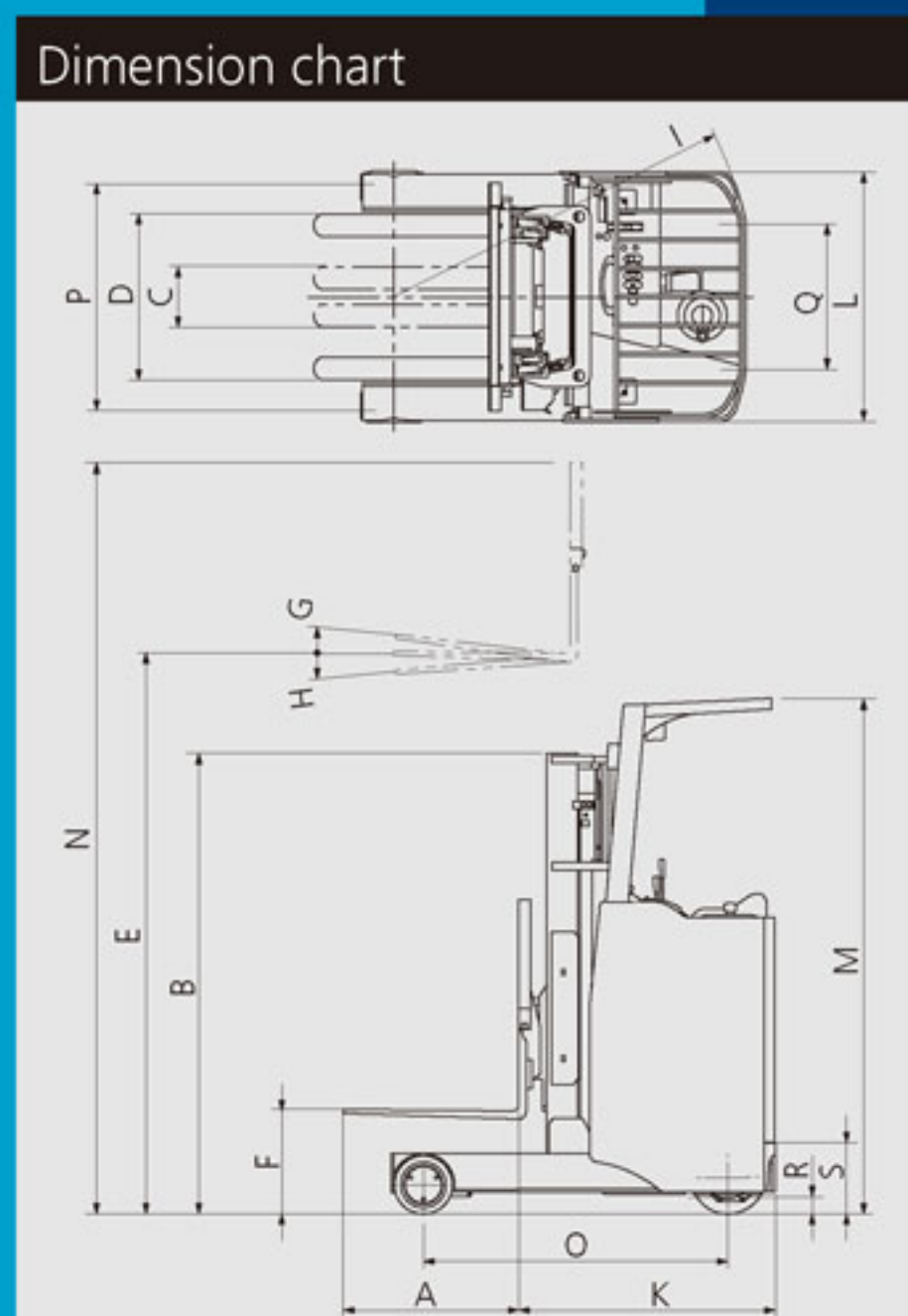


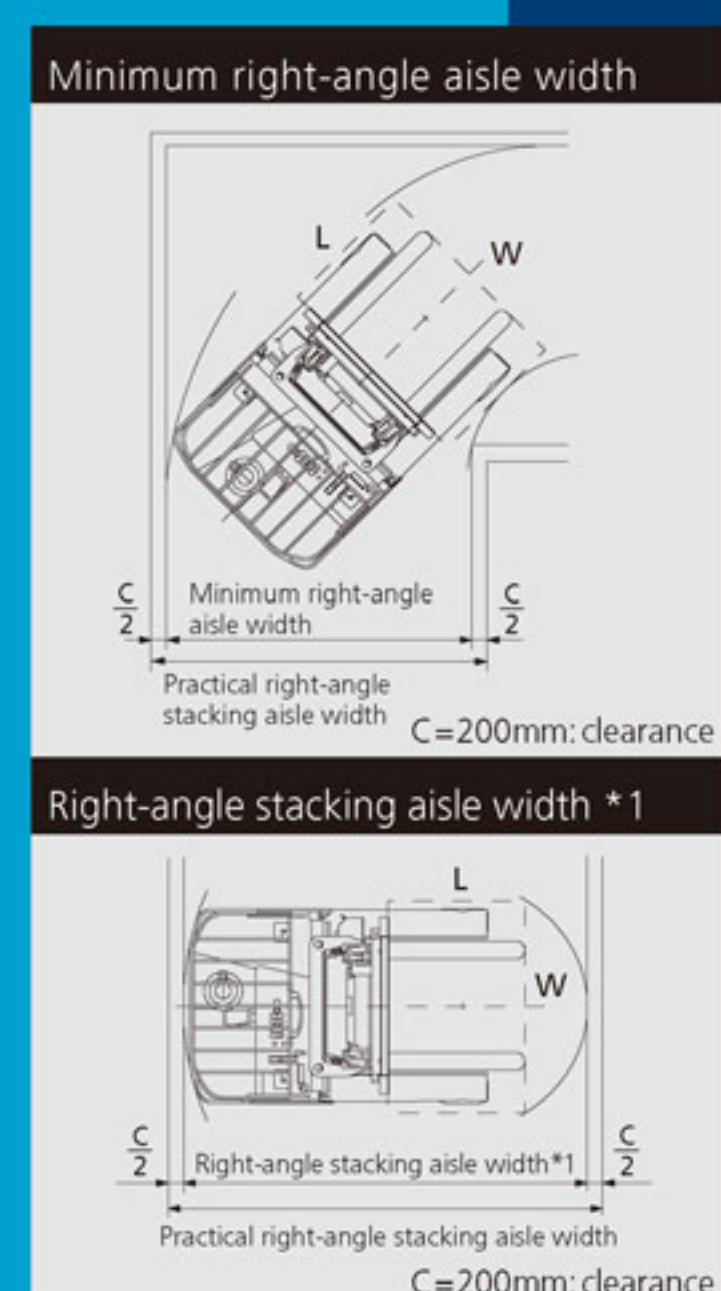
Specifications		*front : front battery removal side : side battery removal					
Model/Type		2.0 ton		2.5 ton		3.0 ton	
Item/Symbol		8FBR20(T)X	8FBR20L(T)X	8FBR25(T)X	8FBR25L(T)X	8FBR30(T)X	
		standard	high stacking	standard	high stacking	standard	
Performance	Maximum load capacity	2,000		2,500		3,000	
	Standard load center	500		500		500	
	Standard lifting height	E	3,000	4,000	3,000	4,000	3,000
	Free lift	F	150 (1,030)		150 (1,030)		155 (1,025)
	Reach stroke		*front 700 / side 680		865		865
	Tilting angle (up/down)	G/H	5° / 3°				
	Travel speed	(Laden)	10.0		9.5		9.0
		(Unladen)	11.5		11.5		11.0
	Lifting speed	(Laden)	300		280		220
		(Unladen)	500		500		420
Minimum turning radius (outer)	I	1,780		1,955		2,055	
Dimensions	Overall length (with fork)	A+K	*front 2,190 / side 2,205		*front 2,195 / side 2,205		2,300
	Overall width	L	1,165		1,220		1,220
	Mast lowered height	B	1,995	2,620	1,995	2,620	2,020
	Max mast height w/backrest	N	3,940	4,940	3,940	4,940	3,945
	Head guard height	M	2,300				
	Step height	S	350				
	Fork length	A	920				
	Fork spread width (maximum)	D	780				
	Fork spread width (minimum)	C	255				
	Wheel base	O	1,525		1,700		1,800
	Tread (front/rear)	P/Q	1,044 / 715		1,086 / 715		1,086 / 715
	Minimum ground clearance	R	85				
	Vehicle weight		2,925 (3,100)	3,125 (3,190)	3,090 (3,260)	3,290 (3,350)	3,325 (3,490)
	Front wheel		urethane; φ267×114		urethane; φ267×135		urethane; φ267×135
	Drive wheel		Rubber; φ394×152				
Tires	Caster wheel	Rubber; φ204×74		Rubber; φ204×74		urethane; φ204×74	
	Travel motor	Control type	MOS inverter				
		Output	5.2				
Hoist motor	Control type	IGBT chopper					
	Output	11.0					
Steering motor	Control type	FET chopper					
	Output	0.3					
Rechargeable battery	Voltage x Capacity	48x312		48x312		48x370	



Aisle width (unit: mm) Pallet length: L, Pallet width: W		Intersecting (IA) and Right-angle aisle width					Right-angle stacking (SA) aisle width *1						
Model	Mast	Battery	L	800	1,000	1,000	1,000	1,100	800	1,000	1,000	1,000	1,100
2.0 ton	Standard / Semi-free	*312/370Ah	W	1,100	1,000	1,100	1,200	1,100	1,100	1,000	1,100	1,200	1,100
		440Ah		1,800	1,790	1,800	1,830	1,810	2,410	2,500	2,530	2,570	2,600
	3-stage full-free	476Ah		1,800	1,800	1,810	1,830	1,820	2,450	2,550	2,580	2,620	2,660
		*312/370Ah	W	1,800	1,800	1,810	1,840	1,820	2,480	2,580	2,610	2,650	2,690
2.5 ton	Standard / Semi-free	*312/370Ah	W	1,800	1,800	1,810	1,830	1,810	2,440	2,530	2,570	2,600	2,640
		440Ah		1,800	1,800	1,810	1,840	1,820	2,480	2,590	2,620	2,650	2,700
	3-stage full-free	476Ah		1,800	1,800	1,810	1,840	1,820	2,500	2,610	2,640	2,670	2,720
		*312/370Ah	W	1,880	1,870	1,890	1,910	1,890	2,520	2,560	2,600	2,640	2,660
3.0 ton	Standard / Semi-free	*312/370/440Ah	W	1,880	1,880	1,890	1,910	1,890	2,550	2,610	2,650	2,690	2,720
		476Ah		1,880	1,880	1,890	1,920	1,900	2,570	2,640	2,680	2,720	2,750
	3-stage full-free	*312/370/440Ah	W	1,880	1,880	1,890	1,910	1,890	2,550	2,610	2,650	2,690	2,720
		476Ah		1,880	1,880	1,890	1,920	1,900	2,570	2,640	2,680	2,720	2,750
3-stage full-free	*370/440/476Ah	W	1,930	1,930	1,940	1,960	1,940	2,620	2,660	2,700	2,750	2,760	
	*370/440/476Ah	W	1,930	1,930	1,940	1,970	1,940	2,650	2,720	2,760	2,800	2,820	

The model marked with * is a standardized one.
*1: The width of the aisle is for loading work at right angles regulated by JIS D 6202.

- The following "Environmental specs." options are available.
- Fisheries-use spec. model (Up to -10 °C)
 - General freezer refrigerator spec. model (Up to -35 °C/-45 °C)
 - Fisheries-use freezer refrigerator spec. model (Up to -35 °C/-45 °C)
 - Anti-rust spec. model ● Anti-dust spec. model



SUMITOMO NACCO FORKLIFT CO., LTD., the manufacturer of forklifts and logistic equipment, is the company obtained the approval of ISO9001 and ISO14001.

For the forklift driver operations, inspection and maintenance, always read the instruction manual and follow the instructions correctly.
Manufactured by
SUMITOMO NACCO FORKLIFT CO.,LTD.
2-75, Daitoh-cho, Obu-shi, Aichi-ken, 474-8555 JAPAN
Phone: 81-562-48-5251 Fax: 81-562-48-5396

We offer personalized after service and looking forward to see you.

SUMITOMO NACCO FORKLIFT
SUMITOMO NACCO FORKLIFT SALES CO.,LTD.
2-18, Heiwajima 3-chome, Ota-ku, Tokyo, 143-0006 JAPAN
Phone: 81-3-6404-3262 Fax: 81-3-6404-3272

CODE
ER-02A

*The actual features and specifications may differ from those described in the catalog.
*The color of the photographs in this catalog may differ slightly from the actual color depending on the ink quality.

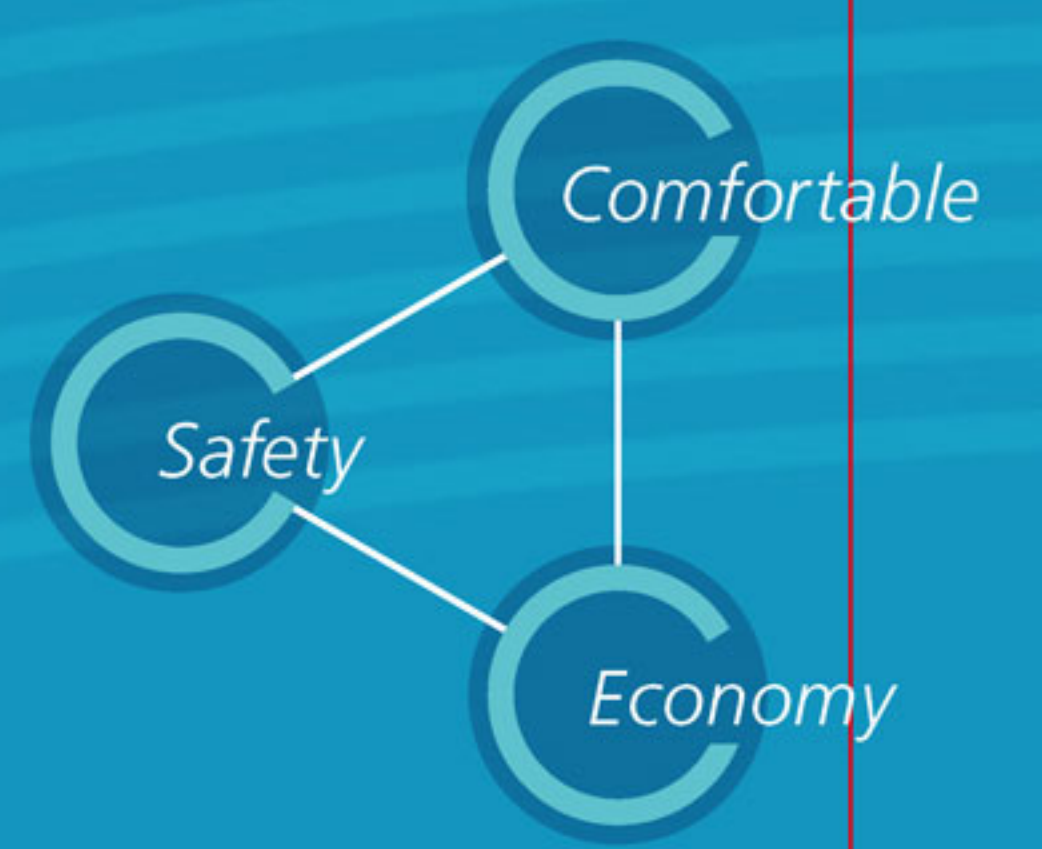
SUMITOMO

Reach-type Battery Forklift Trucks

2.0 TON 3.0 TON

8FBR 20·25·30 X
8FBR 20·25 LX

FBR-E



Efficient performance, light and easy controls, reliable safety features, and an advanced design to meet the latest requirements
—SUMITOMO "Reach-type" Forklift line-up looks to the future to keeps out in front.

