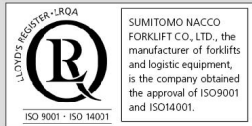


| Battery | | ○:Standard △:Option | | | | | | | | |
|------------------|---------|---------------------|------------|------------|-------------|------------|------------|-------------|-------------|-------------|
| Battery capacity | Voltage | PREMIUM | PREMIUM | PREMIUM | COMPACT | PREMIUM | PREMIUM | COMPACT | LIGHT | LIGHT |
| | | 8FB15PXIII | 8FB18PXIII | 8FB20PXIII | 8FB20PSXIII | 8FB25PXIII | 8FB30PXIII | 8FB35PSXIII | 8FB15PLXIII | 8FB25PLXIII |
| 280Ah / 5h | (48V) | | | | | | | | ● | |
| 320Ah / 5h | (48V) | | | | | | | | | |
| 390Ah / 5h | (48V) | ● | ● | | ● | | | | | ● |
| 440Ah / 5h | (48V) | | | ● | | | ● | ● | | |
| 470Ah / 5h | (48V) | △ | △ | | △ | | | | | |
| 525Ah / 5h | (48V) | △ | △ | | △ | | △ | △ | | |
| 565Ah / 5h | (48V) | | | △ | | ● | | | | |
| 600Ah / 5h | (48V) | | | | | | △ | △ | | |
| 700Ah / 5h | (48V) | | | △ | | △ | | | | |
| 725Ah / 5h | (48V) | | | | | | | | | |

| Mast | | ○:Standard △:Option | | | | | | | | | | | |
|-----------|---|---|------------|------------|------------------------------|------------|------------|---------------|------------|------------|---------------|------------|------------|
| Mast type | Max. lifting height* (mast designation) | 8FB15/18PXIII 8FB20PSXIII 8FB15PLXIII | | | 8FB20/25PXIII 8FB25PLXIII | | | 8FB30PXIII | | | 8FB35PSXIII | | |
| | | 2Limited-free | 2Full-free | 3Full-free | 2Limited-free | 2Full-free | 3Full-free | 2Limited-free | 2Full-free | 3Full-free | 2Limited-free | 2Full-free | 3Full-free |
| 3,000 | 3,000 | ● | △ | | ● | △ | | ● | △ | | ● | △ | |
| 3,300 | 3,300 | △ | △ | | △ | △ | | △ | △ | | △ | △ | |
| 3,500 | 3,500 | △ | △ | | △ | △ | | △ | △ | | △ | △ | |
| 3,700 | 3,700 | △ | △ | | △ | △ | | △ | △ | | △ | △ | |
| 4,000 | 4,000 | △ | △ | | △ | △ | | △ | △ | | △ | △ | |
| 4,100 | 4,100 | | △ | | | △ | | | △ | | | △ | |
| 4,300 | 4,300 | △ | △ | | △ | △ | | △ | △ | | △ | △ | |
| 4,500 | 4,500 | △ | △ | | △ | △ | | △ | △ | | △ | △ | |
| 4,700 | 4,700 | | | | | | | | △ | | | | |
| 4,800 | 4,800 | △ | △ | | △ | △ | | △ | △ | | △ | △ | |
| 5,000 | 5,000 | △ | △ | | △ | △ | | △ | △ | | △ | △ | |
| 5,100 | 5,100 | | | | | | | | | | | | |
| 5,300 | 5,300 | | | | | △ | | | △ | | | △ | |
| 5,400 | 5,400 | | | △ | | | | | | | | | △ |
| 5,500 | 5,500 | | | | | △ | | | △ | | | | △ |
| 5,700 | 5,700 | | | | | △ | | | △ | | | | △ |
| 6,000 | 6,000 | | | | | △ | | | △ | | | | △ |

*The lifting height is for loaded circumstances.
The mast can lift a load over 6m high. Please consult with the marketing division in charge for the detail.



SUMITOMO NACCO FORKLIFT CO., LTD., the manufacturer of forklifts and logistic equipment, is the company obtained the approval of ISO9001 and ISO14001.

Manufactured by
SUMITOMO NACCO FORKLIFT CO.,LTD.
2-75, Daitoh-cho, Obu-shi, Aichi-ken, 474-8555 JAPAN
Phone: 81-562-48-5251 Fax: 81-562-48-5396

We offer personalized after service and looking forward to see you.

SUMITOMO
NACCO FORKLIFT

SUMITOMO NACCO FORKLIFT SALES CO.,LTD.
2-18, Heiwajima 3-chome, Ota-ku, Tokyo, 143-0006 JAPAN
Phone: 81-3-6404-3262 Fax: 81-3-6404-3272

CODE
EB-02A

*The actual features and specifications may differ from those described in the catalog.
*The color of the photographs in this catalog may differ slightly from the actual color depending on the ink quality.



Brochure Design: GK Design Soken Hiroshima Inc. 2016.06

SUMITOMO

Counter Balanced-type Battery Forklift Trucks

1.5 TON 3.5 TON

8FB15-18-20-25PXIII
8FB20PSXIII
8FB30PZXIII
8FB35PSZXIII
8FB15-25PLXIII

QuaPro-B
Electric Counter Balanced Forklift Trucks

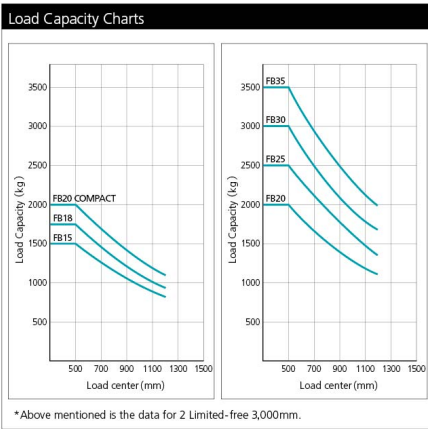
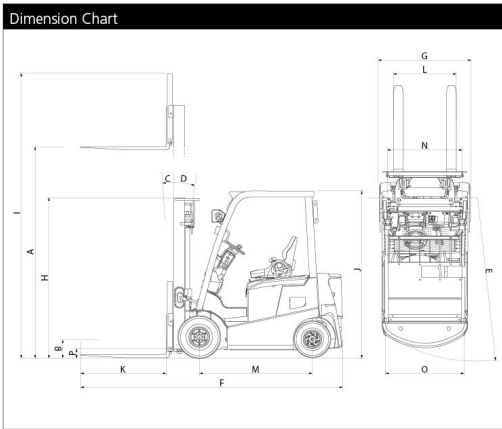


Efficient performance, light and easy controls, reliable safety features,
and an advanced design to meet the latest requirements
—SUMITOMO "Counter Balanced-type" Forklift line-up
looks to the future to keeps out in front.

SUMITOMO

| Specifications | | | Model | PREMIUM | PREMIUM | COMPACT | PREMIUM | PREMIUM | PREMIUM | COMPACT | LIGHT | LIGHT | |
|--|--|--------------|--------------|----------------|----------------|----------------|-----------------|-----------------|------------------|-----------------|-----------------|----------------|-----------------|
| Item/Symbol | | | | 8FB15PXIII | 8FB18PXIII | 8FB20PXIII | 8FB20PXIII | 8FB25PXIII | 8FB30PZXIII | 8FB35PZXIII | 8FB15PLXIII | 8FB25PLXIII | |
| Performance | Maximum load capacity | kg | | 1,500 | 1,750 | 2,000 | 2,000 | 2,500 | 3,000 | 3,500 | 1,500 | 2,500 | |
| | Standard load center | mm | | 500 | 500 | 500 | 500 | 500 | 500 | 500 | 500 | 500 | |
| | Standard lifting height | mm | A | 3,000 | 3,000 | 3,000 | 3,000 | 3,000 | 3,000 | 3,000 | 3,000 | 3,000 | |
| | Free lift | mm | B | 145 | 145 | 145 | 155 | 155 | 160 | 165 | 145 | 155 | |
| | Tilting angle (Up/Down) | deg | C/D | 6°/10° | 6°/10° | 6°/10° | 6°/10° | 6°/10° | 6°/10° | 6°/10° | 6°/10° | 6°/10° | |
| | Travel speed | (Laden) | km/h | | 14.0 | 13.5 | 12.0 | 14.0 | 14.0 | 14.0 | 14.0 | 14.0 | 14.0 |
| | | (Unladen) | km/h | | 15.0 | 15.0 | 14.0 | 15.0 | 15.0 | 16.5 | 16.0 | 15.0 | 15.0 |
| | Lifting speed | (Laden) | mm/s | | 450 | 420 | 360 | 355 | 335 | 310 | 285 | 450 | 335 |
| | | (Unladen) | mm/s | | 635 | 635 | 635 | 600 | 600 | 550 | 500 | 635 | 600 |
| | Minimum turning radius (Outer) | mm | E | 1,845 | 1,875 | 1,910 | 1,990 | 2,035 | 2,190 | 2,255 | 2,255 | 1,845 | 2,035 |
| Minimum right-angle aisle width (1,100x1,100Pallet) | mm | | 1,875 | 1,915 | 1,950 | 2,025 | 2,070 | 2,225 | 2,285 | 2,285 | 1,875 | 2,070 | |
| Right-angle stacking aisle width (1,100x1,100Pallet) | mm | | 3,355 | 3,385 | 3,425 | 3,550 | 3,595 | 3,780 | 3,855 | 3,855 | 3,355 | 3,595 | |
| Dimensions | Overall length (with fork) | mm | F | 3,045 | 3,080 | 3,125 | 3,255 | 3,455 | 3,630 | 3,715 | 3,045 | 3,455 | |
| | Overall width | mm | G | 1,100 | 1,135 | 1,135 | 1,160 | 1,160 | 1,265 | 1,265 | 1,100 | 1,160 | |
| | Mast lowered height | mm | H | 1,995 | 1,995 | 1,995 | 1,995 | 1,995 | 2,060 | 2,140 | 1,995 | 1,995 | |
| | Max mast height w/ backrest | mm | I | 3,955 | 3,955 | 3,970 | 3,970 | 3,970 | 4,125 | 4,125 | 3,955 | 3,970 | |
| | Head guard height | mm | J | 2,070 | 2,070 | 2,070 | 2,120 | 2,120 | 2,140 | 2,140 | 2,070 | 2,120 | |
| | Fork length | mm | K | 920 | 920 | 920 | 920 | 1,070 | 1,070 | 1,070 | 920 | 1,070 | |
| | Fork spread width (Maximum) | mm | L | 920 | 920 | 920 | 1,020 | 1,020 | 1,060 | 1,065 | 920 | 1,020 | |
| | Fork spread width (Minimum) | mm | L | 200 | 200 | 200 | 250 | 250 | 250 | 305 | 200 | 250 | |
| | Wheelbase | mm | M | 1,410 | 1,410 | 1,410 | 1,515 | 1,515 | 1,655 | 1,655 | 1,410 | 1,515 | |
| | Tread (Front/Rear) | mm | N/O | 910 / 905 | 950 / 905 | 950 / 905 | 960 / 1,015 | 960 / 1,015 | 1,040 / 1,015 | 1,040 / 1,015 | 910 / 905 | 960 / 1,015 | |
| | Minimum ground clearance (Underneath the mast) | mm | P | 85 | 85 | 120 | 120 | 120 | 140 | 140 | 85 | 120 | |
| | Vehicle weight | kg | | 2,890 | 3,110 | 3,300 | 3,615 | 4,100 | 4,575 | 5,100 | 2,890 | 4,100 | |
| | Tires | Front wheel | | 6.00-9-10PR(I) | 21x8-9-14PR(I) | 21x8-9-14PR(I) | 7.00-12-12PR(I) | 7.00-12-12PR(I) | 28x9-15-14PR(I) | 28x9-15-14PR(I) | 28x9-15-14PR(I) | 6.00-9-10PR(I) | 7.00-12-12PR(I) |
| | | Rear wheel | | 5.00-8-8PR(I) | 5.00-8-10PR(I) | 5.00-8-10PR(I) | 18x7-8-10PR(I) | 18x7-8-10PR(I) | 18x7-8-14PR(I) | 18x7-8-14PR(I) | 18x7-8-14PR(I) | 5.00-8-8PR(I) | 18x7-8-10PR(I) |
| | Electrical components | Travel | Control type | | FET inverter | FET inverter | FET inverter | FET inverter | FET inverter | FET inverter | FET inverter | FET inverter | FET inverter |
| Output | | | kW | 5.6 | 5.6 | 5.6 | 8.3 | 8.3 | 11.7 | 11.7 | 5.6 | 8.3 | |
| Hoist | | Control type | | FET inverter | FET inverter | FET inverter | FET inverter | FET inverter | FET inverter | FET inverter | FET inverter | FET inverter | |
| | | Output | kW | 9.6 | 9.6 | 9.6 | 9.6 | 9.6 | 16.2 | 16.2 | 9.6 | 9.6 | |
| Steering | | Control type | | FET inverter | FET inverter | FET inverter | FET inverter | FET inverter | FET inverter | FET inverter | FET inverter | FET inverter | |
| | | Output | kW | 9.6 | 9.6 | 9.6 | 9.6 | 9.6 | 16.2 | 16.2 | 9.6 | 9.6 | |
| Storage Battery | Type | | clad | clad | clad | clad | clad | clad | clad | clad | clad | | |
| | Voltage: 5Hr | V/Ah | 48 / 390 | 48 / 390 | 48 / 390 | 48 / 440 | 48 / 565 | 72 / 440 | 72 / 440 | 48 / 280 | 48 / 390 | | |
| Dual Tires* | Tread (Front) | mm | — | — | — | 1,105 | 1,105 | 1,105 | 1,105 | 1,105 | — | 1,105 | |
| | Vehicle weight | kg | — | — | — | 3,720 | 4,205 | 4,630 | 5,100 | — | — | 4,205 | |
| | Front wheel | | — | — | — | 5.50-15-8PR(I) | 5.50-15-8PR(I) | 6.00-15-10PR(I) | 6.00-15-10 PR(I) | — | — | 5.50-15-8PR(I) | |

*The model with dual tire specification is set to add 35mm to the total height (mast/head guard) and minimum ground height (underneath the mast). Also the model without preset specification will be the subject of customization.



| Main Accessories | | Standard specs / accessories | Posted page | Optional specs / accessories | Posted page |
|--|------------------------------------|--|-------------|---|-------------|
| Operable Longer | -Long Time Operation -Long Life | Travel / Hoist AC motor | | Battery water batch refilling device | |
| | | Auto power off | | Spare battery • Separately placed battery charger | |
| Sound Nature of the Machine | *Productivity *Confortability | Regenerative traveling (Neutral brake shift lever) | | | |
| | | BDI interrupt (over-discharge load handling lock) | | | |
| | | ECO mode / ECO gauge | P04,12 | | |
| | | Soft landing | | Simple load weight scale | |
| | | Pitching control | | LED room lamp | P06 |
| More Safe | -Safety | Suspension seat | | Carriage light | P06 |
| | | Road sensing steering system | | Safety laser | |
| | | FHPS (full hydraulic power steering) | | | |
| | | STC (Safety Turn Control) | P06 | | |
| | | Travel and load handling interlock | P07 | Forward / back movement chimer | |
| | | Lift / Tilt Driving speed limit | | The alert of dangerous operation | P08 |
| | | Driving acceleration, Power adjustment | | Rear assist grip (with a horn switch) | P08 |
| | | Neutral start | | Seat belt interlock | P07 |
| The warning sound of the parking brake | P08 | Password entry | | | |
| Anti-rollback | | LED headlight | P11 | | |
| Slope speed limiter | | LED rear combination light | P11 | | |
| High-visibility wide mast | | LED rotating light | P11 | | |
| Front winkers light | | LED work light | | | |
| Rear combination light | P11 | Blue mark | P08 | | |